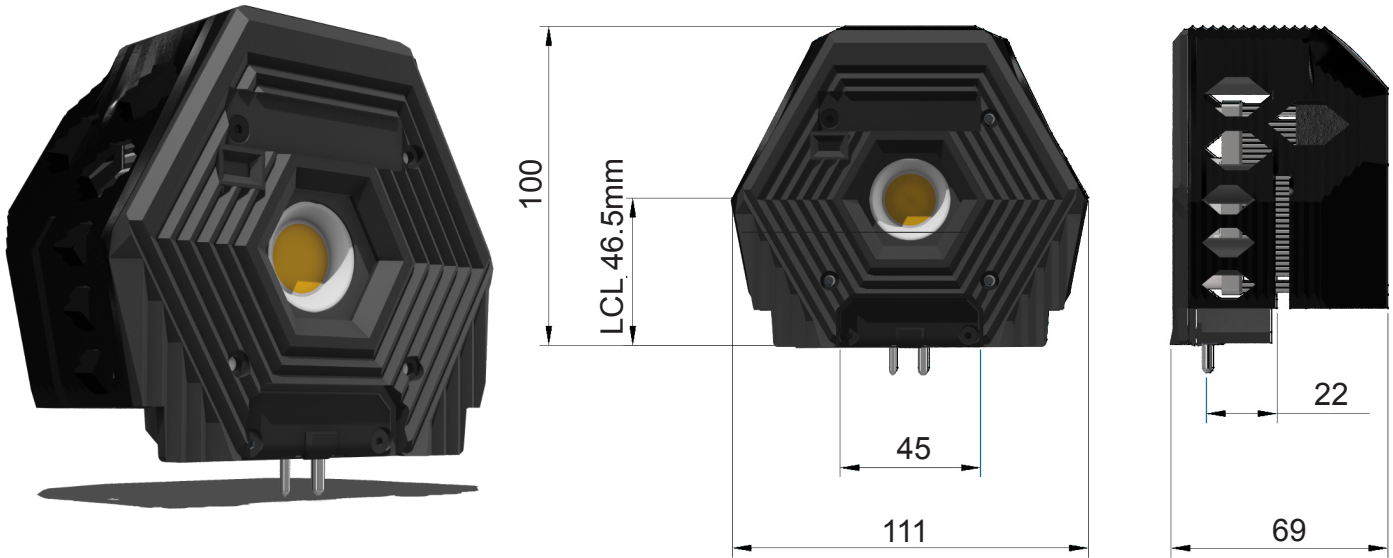


RELAMP 650

LED Light Engine for 650 Fresnels



Specifications

Replaces halogen lamp inside Fresnel fixtures	FRK 650W fixtures
White Light Options (CCT Kelvin)	Tungsten 3200K, Daylight 5000K
Color Temperature Tolerance	+/- 100 K nominal
Color Quality	94 CRI Extended, 95 TLCI
Beam Angle	110°
Light Emitting Area	14 mm
Weight	0.34 kg (0.6 lbs)
Handling	Carbon Composite Enclosure
Mounting	Internal Socket: GY 9.5 2-pin prefocus
Power Supply Range	90-250V AC 50/60Hz World-Wide Compatible
Power Consumption	80 W MAX
Power Connection	Internal Socket: GY 9.5 2-pin prefocus
AC Dimming	0-100% continuous on typical triac AC dimmers
Ambient Temperature Operation	-20 to 45° C (-4 to 113° F)
Storage Temperature	-20 to 70° C (-4 to 158° F)
IP Rating	IP 20
Estimated Lifetime of LED	50,000 hours
Estimated Color Shift Over 50K Hrs (CCT)	+/- 5%
Fan noise level: S mode / L mode	12db / 15db
SKUs	VS-FRKD (Daylight), VS-FRKT (Tungsten)